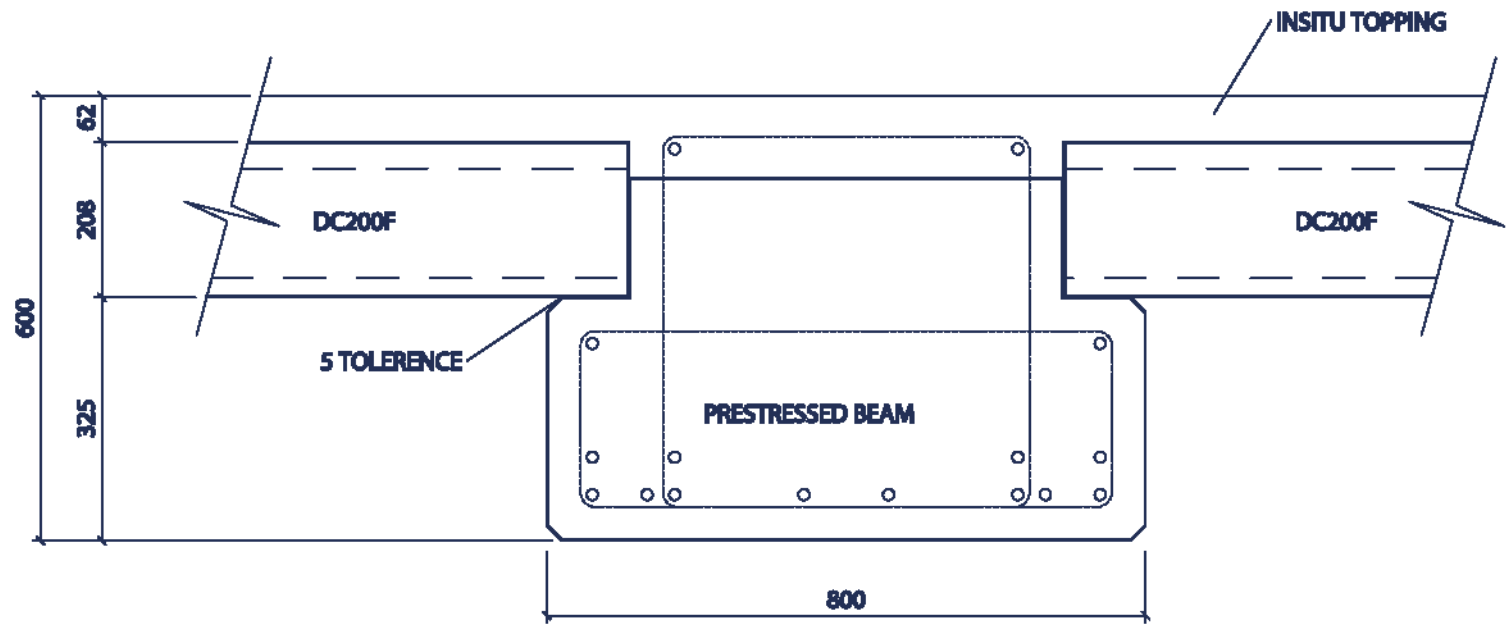


THIS DRAWING IS THE PROPERTY OF DELTA CORPORATION LIMITED
AND MUST NOT BE RETAINED OR COPIED WITHOUT PERMISSION.



GRID 9500(BEAM SPAN) x 8000(DELTA CORE)

NOTE: DO NOT SCALE FROM THIS DRAWING.

PRINCIPAL OFFICE AND FACTORY,
218 Campbell Road,
Hornsby Hills, N.S.W. 4256.
Phone 29541111 Fax 29541184.



REFERENCE				
REVISION	CHG	NO	DATE	
		X	22.2.00	

**DELTA CORE & PRESTRESSED
BEAM TYP. ARRANGEMENTS**

DELTA CORPORATION

COMPANY	DELTA
DRAWN	ST
CHECKED	
SCALE	NTS
DASH	22.2.00

JOB NO	991
DRAWING NO	DCB1
REV NO	X