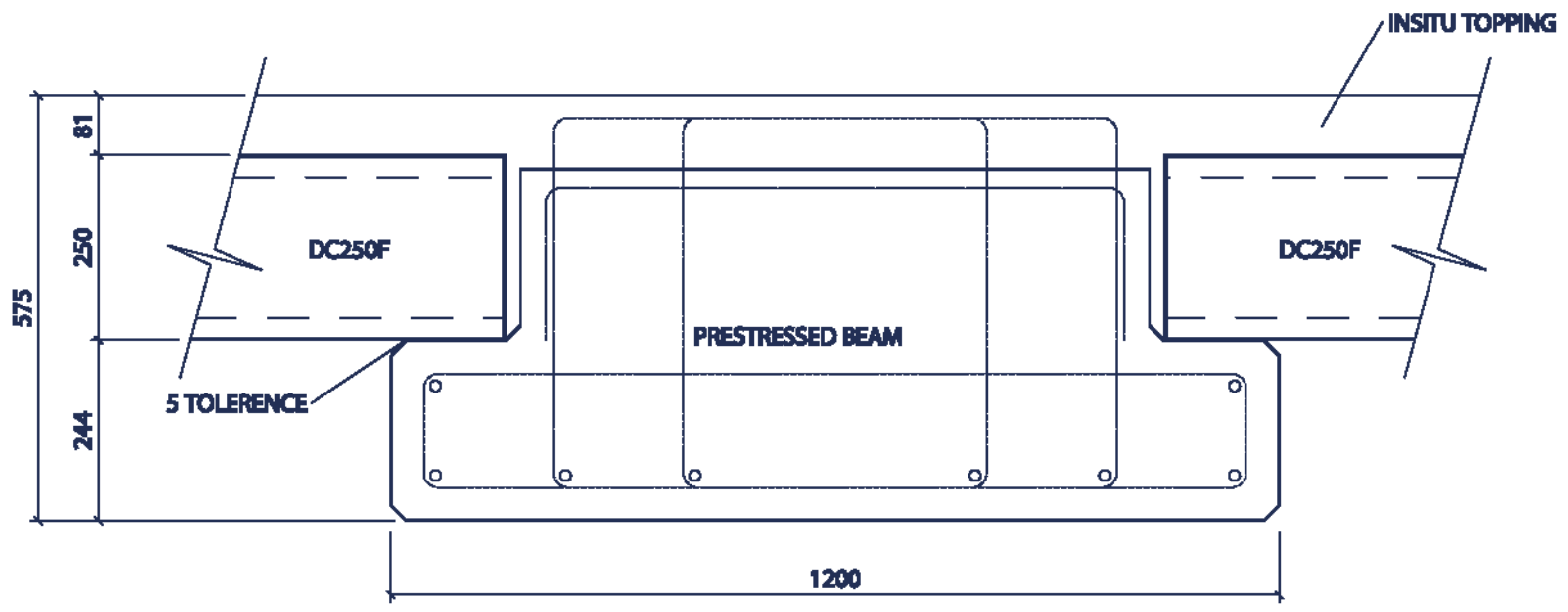


THIS DRAWING IS THE PROPERTY OF DELTA CORPORATION LIMITED  
AND MUST NOT BE RETAINED OR COPIED WITHOUT PERMISSION.



**GRID 8700(BEAM SPAN) x 10800(DELTACORE)**

NOTE: DO NOT SCALE FROM THIS DRAWING.

PRINCIPAL OFFICE AND FACTORY,  
218 Campsie Road,  
Home Hill, W.A. 6034.  
Phone 29641111 Fax 2961104.

REFERENCE		X	22.2.00
REVISION	CHD	NO	DATE

**DELTACORE & PRESTRESSED  
BEAM TYP. ARRANGEMENTS**

**DELTA CORPORATION**

COMPANY	DELTA	JOB NO	991
DRAWN	ST	DIVISION NO	DCB3
CHECKED		REVISION	X
SCALE	NTS		
DATE	22.2.00		