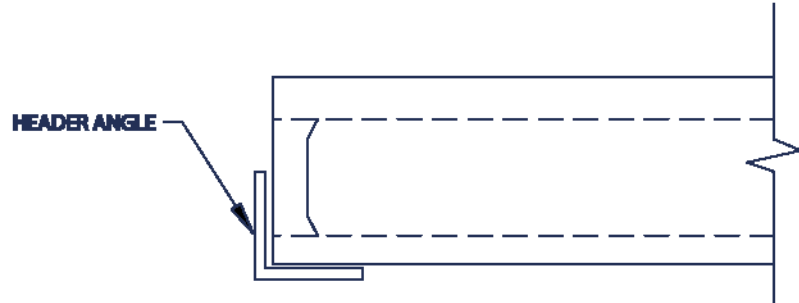
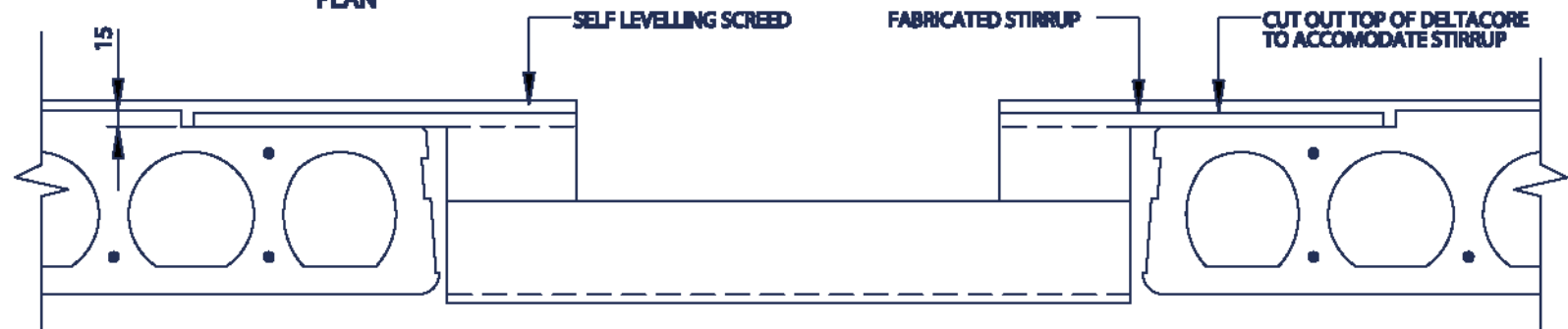


PLAN



SECTION B



SECTION A

PRINCIPAL OFFICE AND FACTORY,
218 Compton Road,
Horne VALE, W.V.A. 8026.
Phone 0864111 Fax 0861104.



ISSUED FOR APPROVAL	1	22.02.99
REVISION	CRNO	NO DATE

DELTACORE FLOORING SYSTEM

TYPICAL DETAIL

CRD	99-242	JOB NO	991
DESIGN	AH	DRAWING NO	RDC13
CHECKED	NTS	REV/NO	1
DATE			