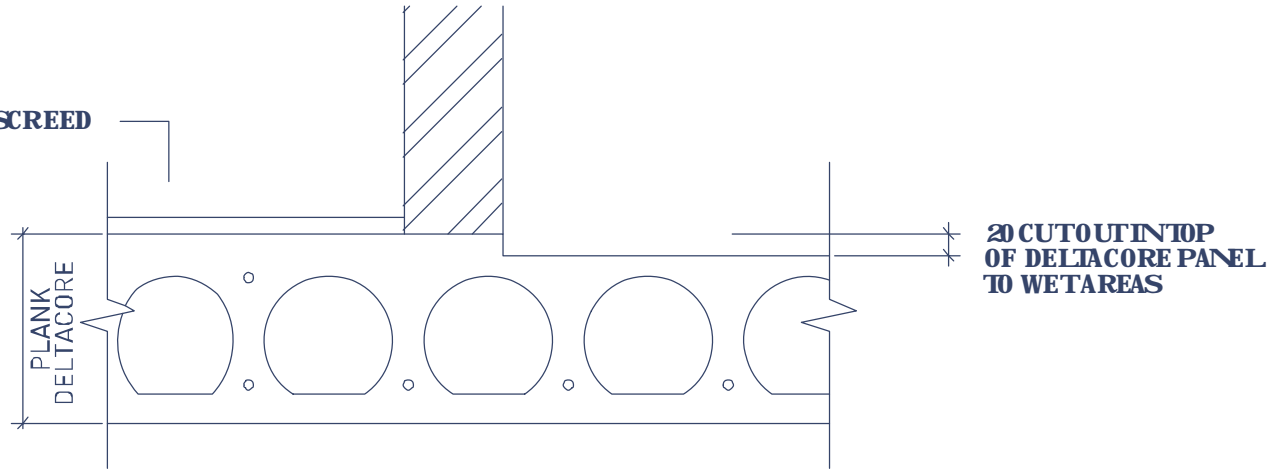


**SELF LEVELLING SCREED**



PRINCIPAL OFFICE AND FACTORY  
218 Camp Creek Road  
Horne B11, W.A. 656  
Phone 2964 111 Fax 2961 184

CORPORATION LIMITED

ISSUED FOR APPROVAL				
REVISION	CHKD	NO	DATE	
		1	25.02.99	

**DELIACORE FLOORING SYSTEM**

**TYPICAL DETAIL**

CSD	99-342	JOB NO	991
DRAWN	AH	DRAWING NO	RDC 16
CHECKED		REV NO	1
SCALE	NTS		
DATE			