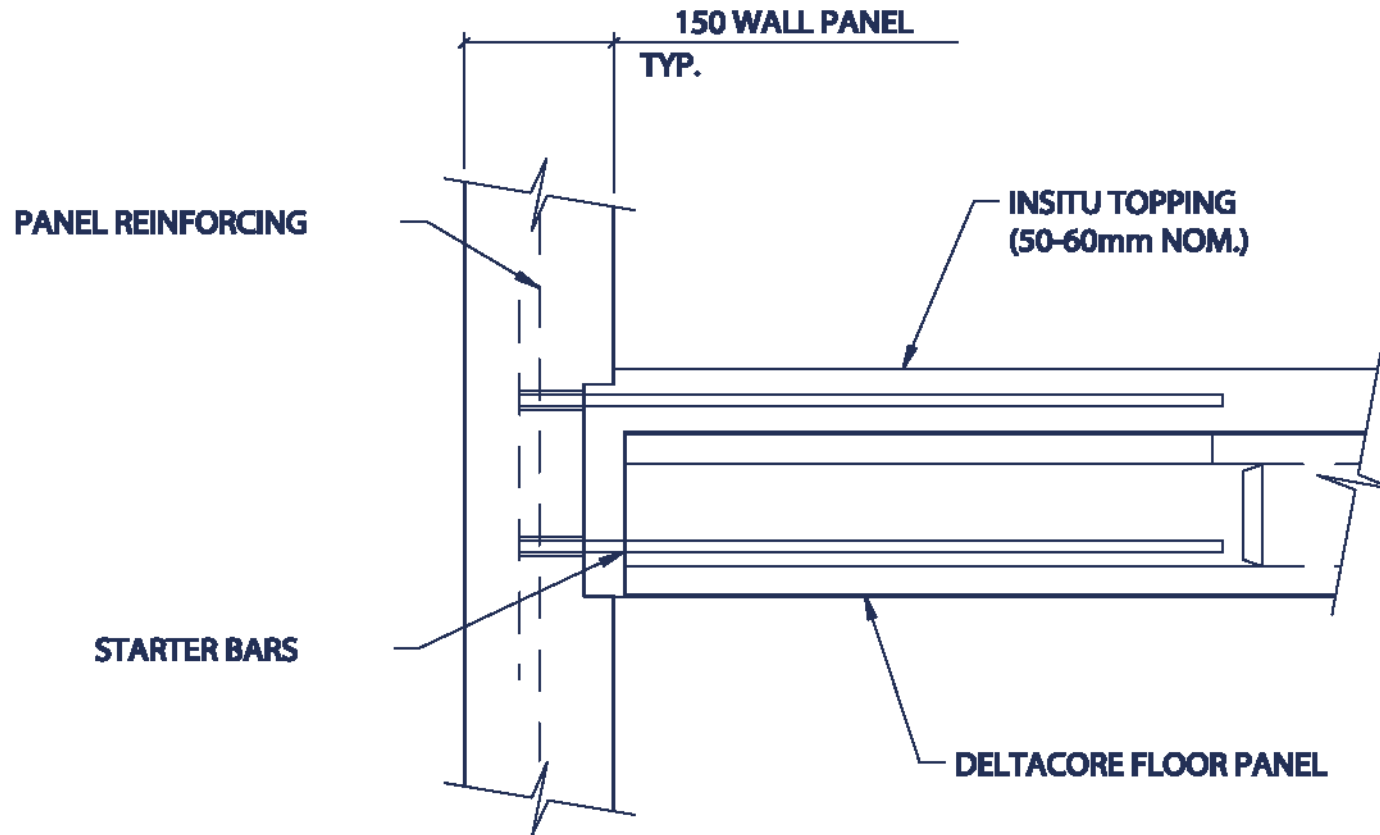


THIS DRAWING IS THE PROPERTY OF DELTA CORPORATION LIMITED
AND MUST NOT BE RETAINED OR COPIED WITHOUT PERMISSION.



CORBEL-LESS SUPPORT

NOTE: DO NOT SCALE FROM THIS DRAWING.

PRINCIPAL OFFICE AND FACTORY,
218 Clontarf Road,
Horne Hills, N.C.A. 4256.
Phone 29641111 Fax 29611104.



INFORMATION		1	44.00
REVISION	CHG	NO	DATE

DELTACORE FLOOR PANELS

TYPICAL SUPPORT ARRANGEMENTS

COMPANY	DELTA	JOB NO	991
DRAWN	ST	DRAWING NO	SK1
CHECKED		REV NO	1
SCALE	NTS		
DATE	3.3.00		