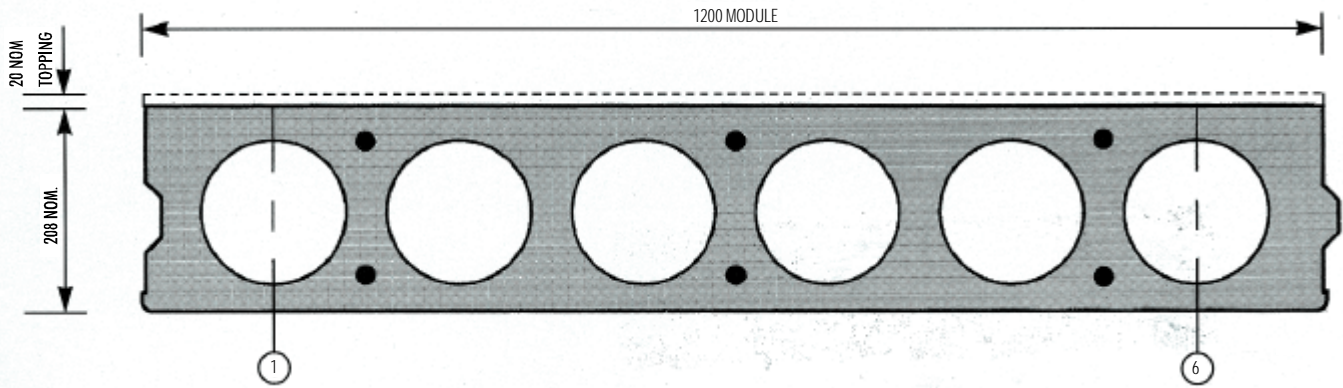
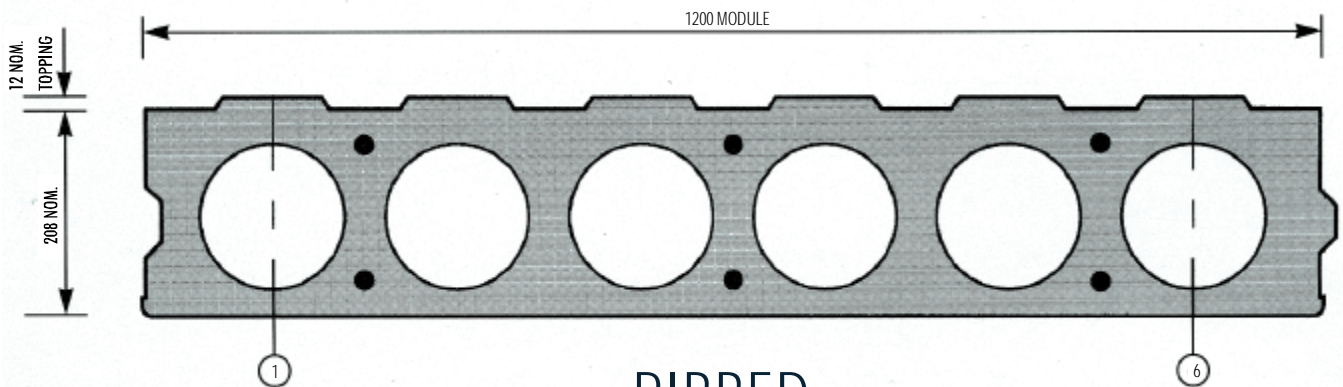


# DELTACORE WALL PANELS DC 200W



PLAIN



RIBBED

DC 200 W							
H (m)	STRANDS	ØMU (kNm)	WEIGHT (KG/M)		MAX HEIGHT (m)	FIRE RATING (Hr)	STC
			Plain	Ribbed			
208	3+3	71.4	370	390	11	2	50
208	2+2	47.6	370	390	9	2	50